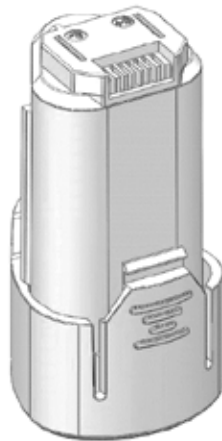
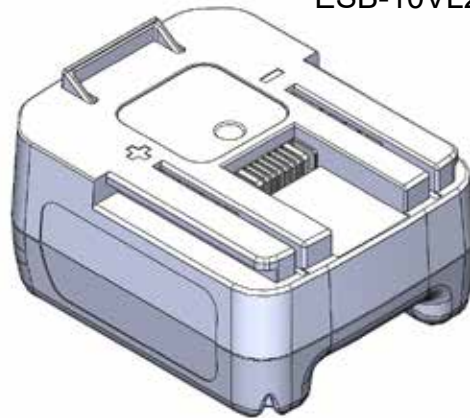



ESB-10VL2500(X) Rechargeable Battery Operation Manual

ESB-10VL2500



ESB-10VL2500X



CAUTION  — Please read, understand, and follow all operating and safety instructions in this manual before using the ESB-10VL2500 Battery.

The ESB-10VL2500 Battery is designed for exclusive use with specific Delta Regis tools and chargers. Do not attempt to use the battery with any products other than those specified by Delta Regis.

If you have any questions or concerns, please contact us at:

Delta Regis Tools Inc.
6945 LTC PKWY
Port St. Lucie, FL 34986
USA

Ph +1-772-465-4302
Fx +1-772-465-4368
Email: sales@deltaregis.com
Website: www.deltaregis.com



Read Manual



Caution



Do Not Dispose




Keep Away From Humidity







Keep Away From Fire



Do Not Disassemble

Warning  — Failure to understand and follow proper installation guidelines, safety requirements, and operating instructions may result in malfunction, component damage, property damage, shock hazard, fire hazard, injury or death. Do not discard or destroy these instructions.

- Please read  and understand the operation manual and follow all safety and operation instructions.
- Fully recharge the battery before installing into a screwdriver.
- Set the tool's forward/reverse switch to the middle position when installing the battery to reduce risk of injury.
- Keep the battery on a flat, firm surface, out of reach of children.
- Keep the battery in a well-ventilated, dust-free environment.
- Do not expose the battery to direct sunlight, high temperature, high humidity , or explosive gas .
- Do not attempt to disassemble or modify the battery . Only use Delta Regis batteries with Delta Regis chargers and tools. The use of any other batteries may result in decreased tool performance and increased maintenance, and may invalidate all warranties.
- Do not subject the battery to physical abuse. If a battery has been damaged and is leaking liquid, do not touch the liquid. If the liquid gets on the skin, rinse it off as soon as possible. If the liquid gets in a person's eye, contact a doctor immediately.
- Each recharge and discharge, the capacity of a rechargeable battery decreases, depending on the frequency of use. Make sure to charge the battery at least once every three months. Failure to do so can reduce the battery's maximum charge or cause it to stop working altogether.
- The battery is best recharged between 0°C and 30°C. Below 0°C, the liquid inside of the battery will freeze and the battery will not charge.
- The battery is designed for exclusive use with specific tool models as outlined by Delta Regis. Do not attempt to use the battery with any products other than those specified by Delta Regis.

Caution  — Risk of fire and burns. Do not open, crush, heat above 60°C (manufacturer's specified maximum temperature) or incinerate. Follow manufacturer's instructions.

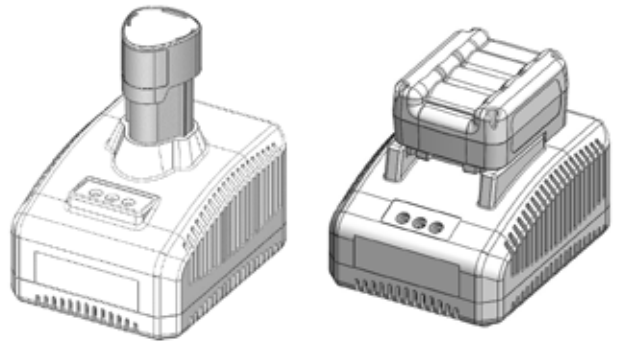
Contents

- Rechargeable Battery (1)
- Operation manual (1)

Charging Instructions

To charge a battery, insert the battery into the charging port as shown.

Refer to charger manual for more details.



Installation Instructions

To install a battery into a screwdriver, insert the battery into the base of the tool as shown.

Refer to screwdriver manual for more details.



Specifications

Rechargeable Battery		
Model	ESB-10VL2500	ESB-10VL2500X
Charger Model	ESB-CHG50	ESB-CHG50/X
Battery Type	Lithium-Ion Rechargeable Battery	
Capacity	2500 mAh	
Weight	0.2 kg	0.3 kg
Dimensions (L x W x H)	51 x 46 x 90 mm	92 x 75 x 45 mm
Power	27 Wh	
Nominal Voltage	10.8 V	
Fully Charged Voltage	12.6 V	