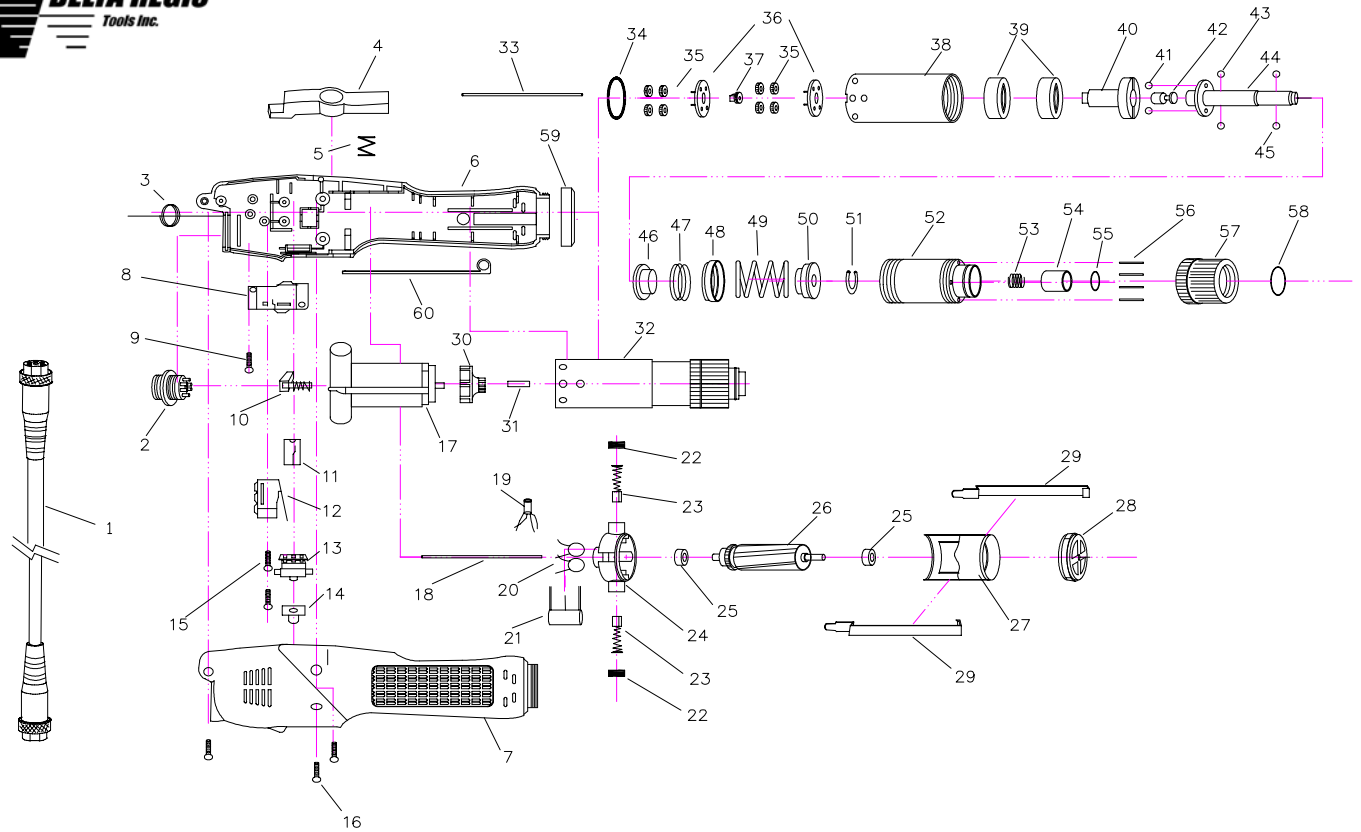


### Delta Regis Model #ESL310, 310S, 311, 312-ESD (r4 version - ESD/CE/RoHS) - Parts List

Delta Regis Tools, Inc. 3315 Industrial 25th Street, Fort Pierce, FL 34946 Tel: (888) 500-2755 / (772) 465-4302 Fax: (866) 500-7270 / (772) 465-4368 www.deltaregis.com

Ref #	Part Number	Description	Qty	Ref #	Part Number	Description	Qty
1	DR96-10016	Cable assembly	1	31	DR15-10040	Push Rod	1
2	DR40-10054	Chassis Connector (6 Pin)	1	32	DR12-10009	C-Ring	1
3	DR80-10141	Suspension Ring	1	33	DR11-10100	Washer	1
4	DR40-10109	Start Lever	1	34	DR30-10057	Planet Gear (310, 311)	6
5	DR14-10055	Trigger Spring	1		DR30-10058	Planet Gear (310S, 312)	6
6	DR80-10185	Housing - Label Side	1	35	DR30-10054	Planet Shaft (310, 311)	1
7	DR80-10184	Housing	1		DR30-10078	Planet Shaft (310S, 312)	1
8	DR40-10053	Microswitch	1	36	DR30-10079	Gear (310, 311)	1
9	DR15-10036	Push Rod	1		DR30-10077	Gear (310S, 312)	1
10	DR12-10007	Fixture	1	37	DR30-10054	Planet Shaft (310, 311)	1
11	DR40-10053	Microswitch	1		DR30-10056	Planet Shaft (310S, 312)	1
12	DR40-10094	Forward/Reverse Switch	1	38	DR20-10027	Ball Bearing	1
13	DR80-10137	Fwd/Rev Switch Cover (310 black)	1	39	DR60-10017	Gear Case	1
	DR80-10138	Fwd/Rev Switch Cover (310S orange)	1	40	DR60-10019	Upper Clutch (310, 310S)	1
	DR80-10142	Fwd/Rev Switch Cover (311 blue)	1		DR60-10022	Upper Clutch (311)	1
	DR80-10143	Fwd/Rev Switch Cover (312 white)	1		DR60-10023	Upper Clutch (312)	1
14	DR10-10032	Screw	3	41	DR20-10028	Ball Bearing	1
15	DR54-10022	Motor Assembly (310)	1	42	DR13-10018	Ball	2
	DR54-10023	Motor Assembly (310S)	1	43	DR11-10102	Stop Pilot	1
	DR54-10024	Motor Assembly (311, 312)	1	44	DR13-10016	Ball	2
16	DR15-10058	Push Rod	1	45	DR31-10013	Bit Holder	1
17	DR40-10050	Coil	1	46	DR12-10008	C-Clip for DR31-10013	1
18	DR40-10115	Capacitor	2	47	DR15-10037	Pin for DR31-10013	2
19	DR40-10051	Capacitor	1	48	DR31-10014	Bit Holder 1/4" Hex	1
20	DR55-10007	Brush Cap	2	49	DR13-10017	Ball	2
21	DR55-10006	Carbon Brush Set (2)	1	50	DR11-10099	Base Assembly	1
22	DR51-10018	Motor End Cover - Rear	1	51	DR97-31001	Clutch Spring (310, 310S)	1
23	DR20-10030	Ball Bearing	2		DR97-31101	Clutch Spring (311)	1
24	DR52-10012	Armature (310)	1		DR97-31201	Clutch Spring (312)	1
	DR52-10035	Armature (310S)	1	52	DR16-10019	Spring Cup (ESL310, 310S, 311)	1
	DR52-10016	Armature (311, 312)	1	53	DR14-10047	Triangle Spring (ESL310, 310S, 311)	1
25	DR50-10020	Motor Yoke Assembly (310)	1	54	DR16-10017	Clutch Spring Seat	1
	DR50-10021	Motor Yoke Assembly (310S, 311, 312)	1	55	DR20-10029	Ball Bearing	2
26	DR51-10017	Motor End Cover	1	56	DR60-10018	Lower Clutch Assembly	1
27	DR12-10012	Assembly Clip	2	57	DR14-10044	Bit Spring	1
28	DR52-10014	Fan Assembly (310, 311)	1	58	DR16-10016	Bit Sleeve	1
	DR52-10015	Fan Assembly (310S, 312)	1	59	DR12-10010	C-Ring	1
29	DR15-10039	Push Rod	1	60	DR15-10038	Torque Adjusting Pin	4
30	DR60-10020	Clutch Assembly (310)	1	61	DR11-10101	Torque Adjusting Nut	1
	DR60-10021	Clutch Assembly (310S)	1	62	DR11-10123	Housing Nut	1
	DR60-10024	Clutch Assembly (311)	1	63	DR40-10114	Grounding Strip	1
	DR60-10025	Clutch Assembly (312)	1				

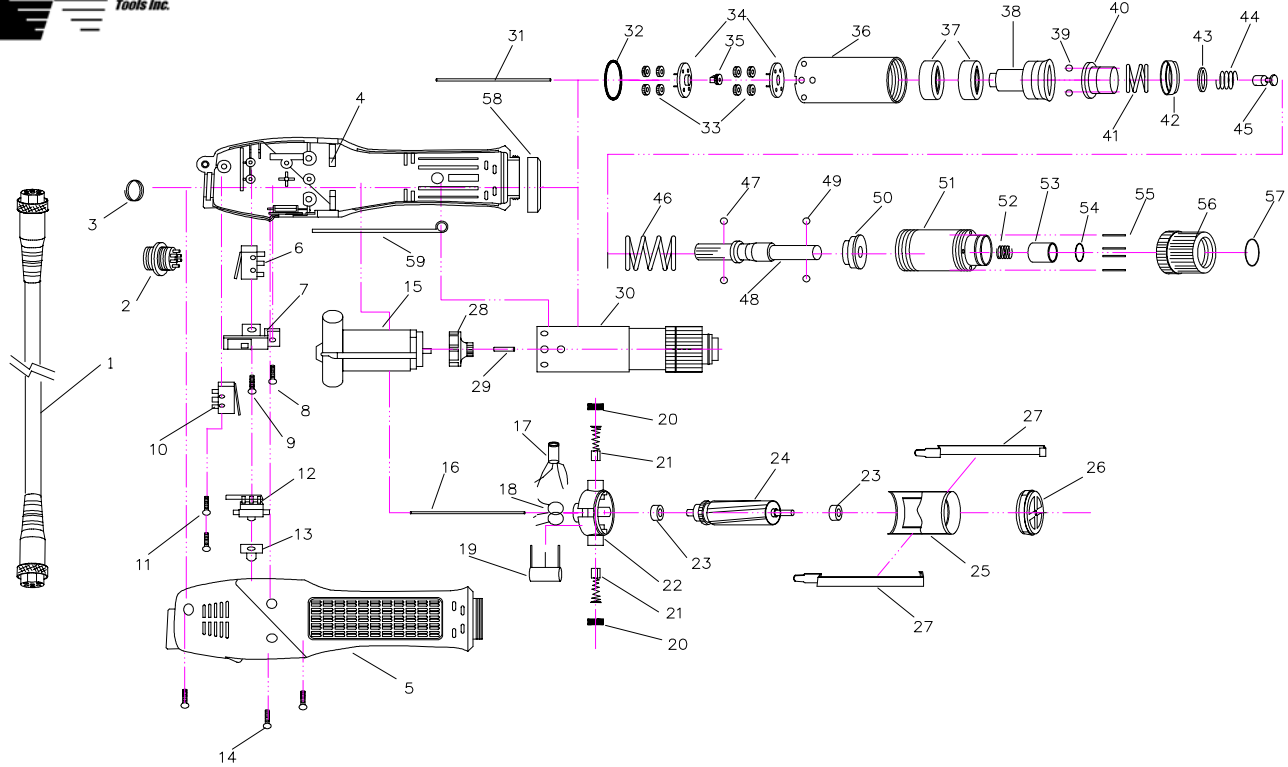
Last update - Oct 2006, subject to change without notice



### Delta Regis Model #ESL323, 324-ESD (r4 version - ESD/CE/RoHS) - Parts List

Delta Regis Tools, Inc. 3315 Industrial 25th Street, Fort Pierce, FL 34946 Tel: (888) 500-2755 / (772) 465-4302 Fax: (866) 500-7270 / (772) 465-4368 www.deltaregis.com

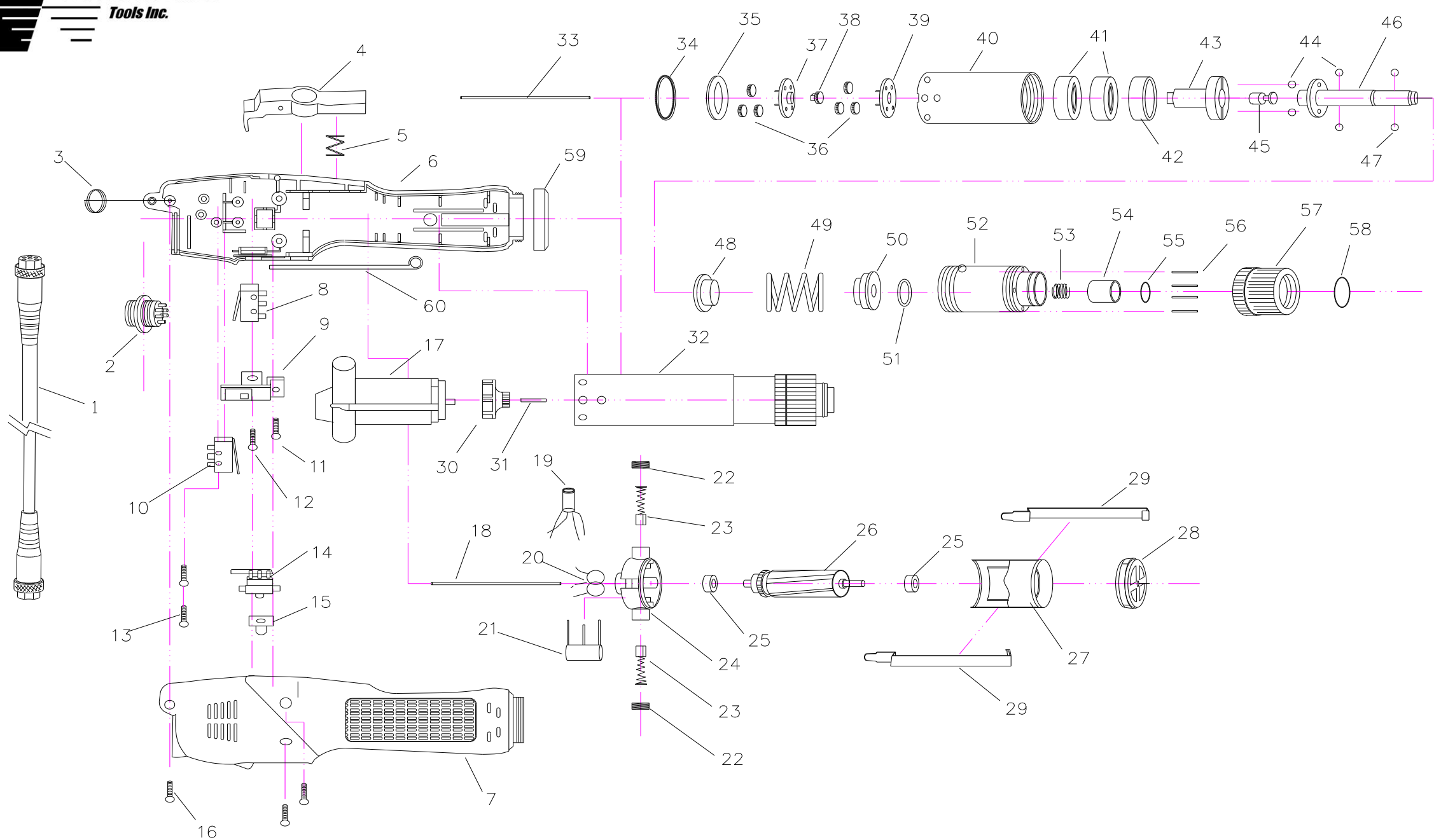
Ref #	Part Number	Description	Qty	Ref #	Part Number	Description	Qty
1	DR96-10016	Cable Assembly	1	30	DR52-10029	Fan	1
2	DR40-10054	Chassis Connector (6 Pin)	1	31	DR15-10039	Push Rod	1
3	DR80-10141	Suspension Ring	1	32	DR60-10035	Clutch Assembly (323)	1
4	DR40-10110	Start Lever	1		DR60-10034	Clutch Assembly (324)	1
5	DR14-10055	Trigger Spring	1	33	DR15-10045	Push Rod	1
6	DR80-10181	ESD Housing - Label Side	1	34	DR12-10028	C-Ring	1
7	DR80-10180	ESD Housing	1	35	DR30-10067	Planet Gear	8
8	DR40-10053	Microswitch	1	36	DR30-10071	Planet Shaft	2
9	DR10-10036	Screw	1	37	DR30-10075	Gear	1
10	DR15-10055	Push Rod	1	38	DR60-10057	Gear Case	1
11	DR12-10017	Fixture	1	39	DR20-10034	Bearing	2
12	DR40-10053	Microswitch	1	40	DR60-10033	Upper Clutch Head	1
13	DR40-10094	Fwd/Rev Switch	1	41,43	DR13-10019	Steel Ball - 4mm	4
14	DR80-10137	Fwd/Rev Switch Cover (323-black)	1	42	DR11-10116	Stop Pilot	1
	DR80-10138	Fwd/Rev Switch Cover (324-orange)	1	44	DR31-10016	Output Shaft	1
15	DR10-10042	Screw	2	45	DR13-10020	Steel Ball - 2.38mm	2
16	DR10-10032	Screw	3	46	DR11-10113	Clutch Spring Plate	1
17	DR54-10020	Motor Assembly (323)	1	47	DR14-10049	Spring (323)	1
	DR54-10021	Motor Assembly (324)	1		DR14-10051	Spring (324)	1
18	DR15-10056	Push Rod	1	48	DR11-10115	Spring Cap (323)	1
19	DR40-10113	Coil	1	49	DR97-32301	Clutch Spring (323)	1
20	DR40-10069	Capacitor	2		DR97-32401	Clutch Spring (324)	1
21	DR40-10051	Capacitor	1	50	DR16-10020	Clutch Spring Seat	1
22	DR55-10007	Brush Cap	2	51	DR12-10019	C-Ring	1
23	DR55-10009	Carbon Brush - Pair (323/324)	1	52	DR60-10032	Clutch Case	1
24	DR51-10033	Motor End Cover - Top	1	53	DR14-10048	Bit Spring	1
25	DR20-10035	Bearing	2	54	DR16-10016	Bit Sleeve	1
26	DR52-10027	Armature (323)	1	55	DR12-10010	C-Ring	1
	DR52-10028	Armature (324)	1	56	DR15-10057	Torque Adjusting Pin	4
27	DR50-10024	Motor Yoke Assembly (323)	1	57	DR11-10114	Torque Adjusting Nut	1
	DR50-10023	Motor Yoke Assembly (324)	1	58	DR12-10020	C-Ring	1
28	DR51-10025	Motor End Cover - Bottom	1	59	DR11-10129	Housing Nut	1
29	DR12-10021	Motor Clip	2	60	DR40-10114	Grounding Strip	1



### Delta Regis Model #ESL323P, 324P-ESD (r4 version - ESD/CE/RoHS) - Parts List

Delta Regis Tools, Inc. 3315 Industrial 25th Street, Fort Pierce, FL 34946 Tel: (888) 500-2755 / (772) 465-4302 Fax: (866) 500-7270 / (772) 465-4368 www.deltaregis.com

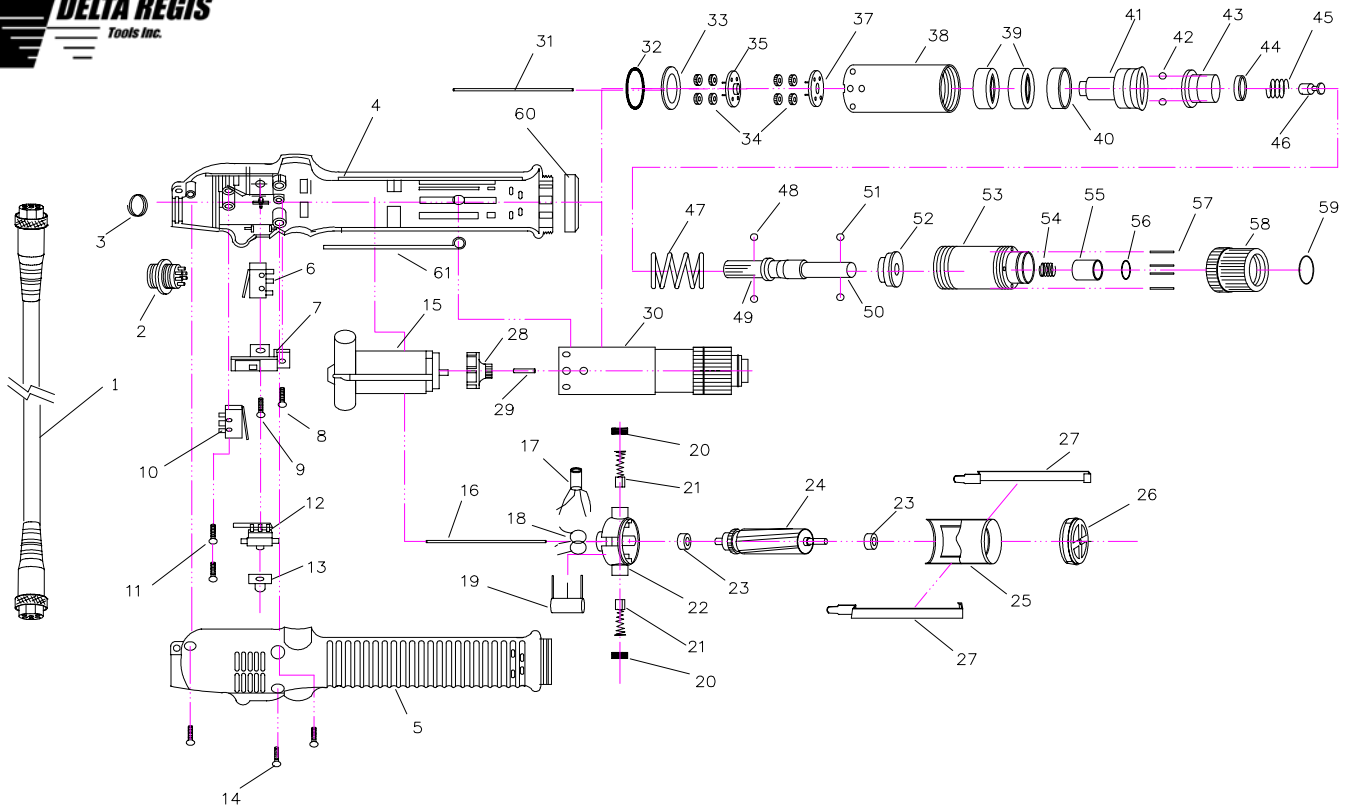
Ref #	Part Number	Description	Qty	Ref #	Part Number	Description	Qty
1	DR96-10016	Cable Assembly	1	31	DR15-10047	Push Rod	1
2	DR40-10054	Chassis Connector (6 Pin)	1	32	DR12-10018	C-Ring	1
3	DR80-10141	Suspension Ring	1	33	DR30-10067	Planet Gear	8
4	DR80-10183	ESD Housing - Label Side	1	34	DR30-10071	Planet Shaft	2
5	DR80-10182	ESD Housing	1	35	DR30-10075	Gear	1
6	DR40-10053	Microswitch	1	36	DR60-10057	Gear Case	1
7	DR12-10022	Switch Base	1	37	DR20-10034	Bearing	2
8	DR10-10038	Screw	1	38	DR60-10038	Upper Clutch (323P)	1
9	DR10-10039	Screw	1		DR60-10037	Upper Clutch (324P)	1
10	DR40-10095	Microswitch	1	39	DR13-10019	Steel Ball - 4mm	2
11	DR10-10037	Screw	2	40	DR16-10021	Clutch Spring Seat	1
12	DR40-10094	Fwd/Rev Switch	1	41	DR14-10049	Spring (323P)	1
13	DR80-10158	Fwd/Rev Switch Cover (323P-green)	1		DR14-10052	Spring (324P)	1
	DR80-10159	Fwd/Rev Switch Cover (324P-white)	1	42	DR11-10115	Spring Cap	1
14	DR10-10032	Screw	3	43	DR11-10118	Spring Cap	1
15	DR54-10020	Motor Assembly (323P)	1	44	DR14-10050	Spring	1
	DR54-10021	Motor Assembly (324P)	1	45	DR11-10116	Stop Pilot	1
16	DR15-10048	Push Rod	1	46	DR97-32302	Clutch Spring (323P)	1
17	DR40-10113	Coil	1		DR97-32403	Clutch Spring (324P)	1
18	DR40-10069	Capacitor	2	47	DR13-10018	Steel Ball - 3.15mm	2
19	DR40-10051	Capacitor	1	48	DR31-10017	Output Shaft	1
20	DR55-10007	Brush Cap	2	49	DR13-10017	Steel Ball - 2.5mm	2
21	DR55-10009	Carbon Brush - Pair	1	50	DR16-10022	Clutch Spring Seat	1
22	DR51-10033	Motor End Cover - Top	1	51	DR60-10036	Clutch Case	1
23	DR20-10035	Bearing	2	52	DR14-10048	Bit Spring	1
24	DR52-10027	Armature (323P)	1	53	DR16-10016	Bit Sleeve	1
	DR52-10028	Armature (324P)	1	54	DR12-10010	C-Ring	1
25	DR50-10024	Motor Yoke Assembly (323P)	1	55	DR15-10057	Torque Adjusting Pin	4
	DR50-10023	Motor Yoke Assembly (324P)	1	56	DR11-10114	Torque Adjusting Nut	1
26	DR51-10025	Motor End Cover - Bottom	1	57	DR12-10020	C-Ring	1
27	DR12-10021	Motor Clip	2	58	DR11-10119	Housing Nut	1
28	DR52-10029	Fan	1	59	DR40-10075	Grounding Strip	1
29	DR15-10039	Push Rod	1				
30	DR60-10039	Clutch Assembly (323P)	1				
	DR60-10040	Clutch Assembly (324P)	1				



### Delta Regis Model #ESL327, 328-ESD (r3 version - ESD/CE/RoHS) - Parts List

Delta Regis Tools, Inc. 3315 Industrial 25th Street, Fort Pierce, FL 34946 Tel: (888) 500-2755 / (772) 465-4302 Fax: (866) 500-7270 / (772) 465-4368 www.deltaregis.com

Ref #	Part Number	Description	Qty	Ref #	Part Number	Description	Qty
1	DR96-10016B	Cable Assembly - 2M	1	32	DR60-10046	Clutch Assembly (327)	1
2	DR40-10054	Chassis Connector	1	32	DR60-10047	Clutch Assembly (328)	1
3	DR80-10141	Suspension Ring	1	33	DR15-10051	Push Rod	1
4	DR40-10120	Trigger	1	34	DR12-10014	C-Ring	1
5	DR14-10055	Trigger Spring	1	35	DR11-10108	Washer	1
6	DR80-10195	Housing - Label Side	1	36	DR30-10068	Planet Gear (327)	6
7	DR80-10194	Housing	1	36	DR30-10069	Planet Gear (328)	8
8	DR40-10053	Microswitch	1	37	DR30-10063	Rear Planet Shaft (327)	1
9	DR12-10022	Switch Base	1	37	DR30-10059	Rear Planet Shaft (328)	1
10	DR40-10053	Microswitch	1	39	DR30-10065	Front Planet Shaft (327)	1
11	DR10-10038	Screw	1	39	DR30-10066	Front Planet Shaft (328)	1
12	DR10-10039	Screw	1	40	DR30-10060	Gear Case	1
13	DR10-10037	Screw	2	41	DR20-10032	Bearing	2
14	DR40-10121	Fwd/Rev Switch	1	42	DR11-10110	Ring	1
15	DR80-10158	Fwd/Rev Switch Cover (327)	1	43	DR60-10027	Upper Clutch Head	1
15	DR80-10159	Fwd/Rev Switch Cover (328)	1	44	DR13-10019	Steel Ball - 4.0mm	4
16	DR10-10035	Screw	3	45	DR11-10133	Stop Pilot	1
17	DR54-10025	Motor Assembly	1	46	DR31-10018	Output Shaft	1
18	DR15-10052	Push Rod	1	47	DR13-10017	Steel Ball - 2.5mm	2
19	DR40-10113	Coil	1	48	DR16-10027	Clutch Spring Plate	1
20	DR40-10069	Capacitor	2	49	DR97-32701	Clutch Spring (327)	1
21	DR40-10051	Capacitor	1	49	DR97-32801	Clutch Spring (328)	1
22	DR55-10014	Brush Cap	2	50	DR11-10111	Clutch Spring Seat	1
23	DR55-10009	Carbon Brush - Pair	2	51	DR12-10014	C-Ring	1
24	DR51-10034	Motor End Cover - Top	1	52	DR60-10026	Clutch Case	1
25	DR20-10033	Bearing	2	53	DR14-10046	Bit Retainer Spring	1
26	DR52-10032	Armature	1	54	DR16-10018	Bit Sleeve	1
27	DR50-10022	Motor Yoke Assembly	1	55	DR12-10010	C-Ring	1
28	DR51-10023	Motor End Cover - Bottom	1	56	DR15-10042	Torque Adjusting Pin	4
29	DR12-10036	Motor Clip	2	57	DR11-10109	Torque Adjusting Nut	1
30	DR52-10025	Fan (327)	1	58	DR12-10015	C-Ring	1
30	DR52-10026	Fan (328)	1	59	DR11-10132	Nose Nut	1
31	DR15-10049	Push Rod	1	60	DR40-10066	Grounding Strip	1

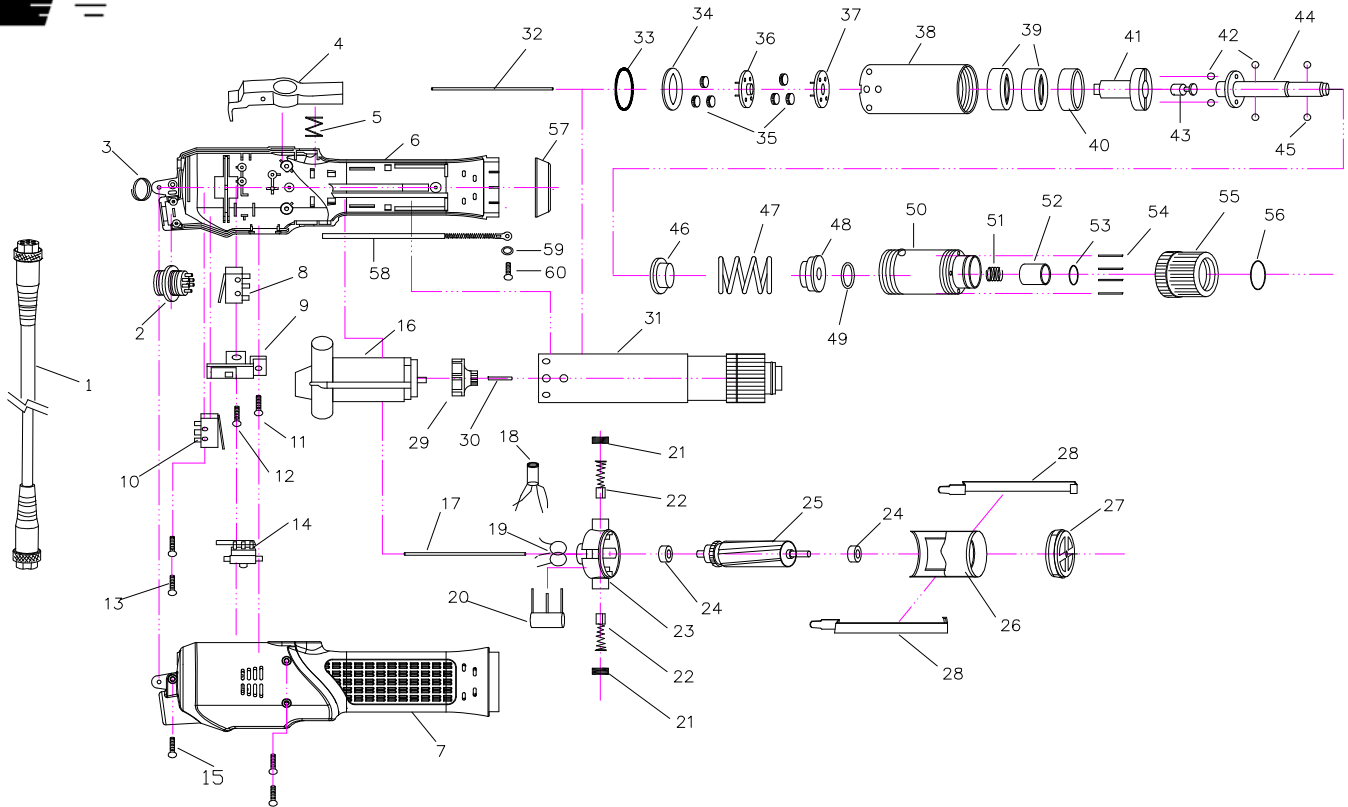


**Delta Regis Model #ESL327P, 328P-ESD (r2 version - ESD/CE/RoHS) - Parts List**

Delta Regis Tools, Inc. 3315 Industrial 25th Street, Fort Pierce, FL 34946 Tel: (888) 500-2755 / (772) 465-4302 Fax: (866) 500-7270 / (772) 465-4368 www.deltaregis.com

Ref #	Part Number	Description	Qty	Ref #	Part Number	Description	Qty
1	DR96-10016	Cable Assembly - 2M	1	32	DR12-10014	C-Ring	1
2	DR40-10054	Chassis Connector - 6 Pin	1	33	DR11-10108	Washer	1
3	DR80-10141	Suspension Ring	1	34	DR30-10068	Planet Gear (327P)	6
4	DR80-10187	Housing - Label Side	1		DR30-10069	Planet Gear (328P)	8
5	DR80-10186	Housing	1	35	DR30-10063	Planet Shaft (327P)	1
6	DR40-10095	Microswitch	1		DR30-10059	Planet Shaft (328P)	1
7	DR12-10022	Switch Base	1	37	DR30-10065	Planet Shaft (327P)	1
8	DR10-10038	Screw	1		DR30-10066	Planet Shaft (328P)	1
9	DR10-10039	Screw	1	38	DR30-10060	Gear Case	1
10	DR40-10053	Microswitch	1	39	DR20-10032	Bearing	2
11	DR10-10037	Screw	2	40	DR11-10110	Ring	1
12	DR40-10094	Fwd/Rev Switch	1	41	DR60-10055	Upper Clutch	1
13	DR80-10158	Fwd/Rev Switch Cover (327P)	1	42	DR13-10019	Steel Ball - 4.0mm	2
	DR80-10159	Fwd/Rev Switch Cover (328P)	1	43	DR16-10026	Clutch Spring Plate	1
14	DR10-10035	Housing Screw	3	44	DR11-10128	Spring Cap	1
15	DR54-10025	Motor Assembly (327P/328P)	1	45	DR14-10054	Spring	1
16	DR15-10053	Push Rod	1	46	DR11-10116	Stop Pilot	1
17	DR40-10081	Coil	1	47	DR97-32702	Clutch Spring (327P)	1
18	DR40-10069	Capacitor	2		DR97-32802	Clutch Spring (328P)	1
19	DR40-10051	Capacitor	1	48	DR13-10019	Steel Ball - 4.0mm	2
20	DR55-10007	Brush Cap	2	49	DR31-10021	Output Shaft	1
21	DR55-10009	Carbon Brush - Pair	1	50	DR31-10022	Bit Holder	1
22	DR51-10034	Motor End Cover - Top	1	51	DR13-10017	Steel Ball - 2.5mm	2
23	DR20-10033	Bearing	2	52	DR11-10111	Clutch Spring Plate	1
24	DR52-10032	Armature (327P/328P)	1	53	DR60-10026	Clutch Case	1
25	DR50-10022	Motor Yoke Assembly	1	54	DR14-10046	Bit Retainer Spring	1
26	DR51-10023	Motor End Cover - Bottom	1	55	DR16-10018	Bit Sleeve	1
27	DR12-10016	Motor Clip	2	56	DR12-10010	C-Ring	1
28	DR52-10025	Fan (327P)	1	57	DR15-10042	Torque Adjusting Pin	4
	DR52-10026	Fan (328P)	1	58	DR11-10109	Torque Adjusting Nut	1
29	DR15-10049	Push Rod	1	59	DR12-10015	C-Ring	1
30	DR60-10058	Clutch Assembly (327P)	1	60	DR11-10106	Nose Nut	1
	DR60-10059	Clutch Assembly (328P)	1	61	DR40-10066	Grounding Strip	1
31	DR15-10054	Push Rod	1				





### Delta Regis Model #ESL329-ESD (r3 version - ESD/CE/RoHS) - Parts List

(R3 version drawing applies to serial numbers starting at TQ10600)

Delta Regis Tools, Inc. 3315 Industrial 25th Street, Fort Pierce, FL 34946 Tel: (888) 500-2755 / (772) 465-4302 Fax: (866) 500-7270 / (772) 465-4368 www.deltaregis.com

Ref #	Part Number	Description	Qty
1	DR96-10016B	Cable Assy - 2M, 6 pin	1
2	DR40-10054	Chassis Connector, 6 pin	1
3	DR80-10141	Suspension Ring	1
4	DR40-10131	Start Lever Assembly	1
5	DR14-10055	Trigger Spring	1
6	DR80-10207	Housing - Label Side	1
7	DR80-10206	Housing	1
8	DR40-10053	Shut-off Switch	1
9	DR12-10022	Switch Base	1
10	DR40-10053	Start Switch	1
11	DR10-10038	Screw	1
12	DR10-10039	Screw	1
13	DR10-10037	Screw	2
14	DR40-10072	Fwd/Rev Switch	1
15	DR10-10032	Screw	3
16	DR54-10030	Motor Assembly	1
17	DR15-10052	Push Rod	1
18	DR40-10113	Coil	1
19	DR40-10069	Capacitor	2
20	DR40-10051	Capacitor	1
21	DR55-10015	Brush Cap	2
22	DR55-10009	Carbon Brush - Pair	1
23	DR51-10040	Motor End Cover - Top	1
24	DR20-10033	Bearing	2
25	DR52-10034	Armature	1
26	DR50-10027	Motor Yoke Assy	1
27	DR51-10030	Motor End Cover - Bottom	1
28	DR12-10036	Motor Clip	2
29	DR52-10026	Fan	1
30	DR15-10049	Push Rod	1

Ref #	Part Number	Description	Qty
31	DR60-10051	Clutch Assembly	1
32	DR15-10051	Push Rod	1
33	DR12-10025	C-Ring	1
34	DR11-10108	Washer	1
35	DR30-10069	Planet Gear	8
36	DR30-10059	Planet Shaft	1
37	DR30-10066	Planet Shaft	1
38	DR60-10049	Gear Case	1
39	DR20-10032	Bearing	2
40	DR11-10110	Ring	1
41	DR60-10074	Upper Clutch	1
42	DR13-10019	Steel Ball - 4.0mm	4
43	DR11-10116	Stop Pilot	1
44	DR31-10019	Output Shaft	1
45	DR13-10017	Steel Ball - 2.5mm	2
46	DR16-10023	Clutch Spring Plate	1
47	DR97-32901	Clutch Spring	1
48	DR16-10024	Clutch Spring Seat	1
49	DR12-10019	C-Ring	1
50	DR60-10026	Clutch Case	1
51	DR14-10046	Bit Retainer Spring	1
52	DR16-10018	Bit Sleeve	1
53	DR12-10010	C-Ring	1
54	DR15-10042	Torque Adjusting Pin	4
55	DR11-10109	Torque Adjusting Nut	1
56	DR12-10015	C-Ring	1
57	DR11-10126	Housing Nut	1
58	DR40-10129	Grounding Strip	1
59	DR11-10120	Washer	1
60	DR10-10040	Screw	1