

# 32VDC RIGHT ANGLE DRIVERS

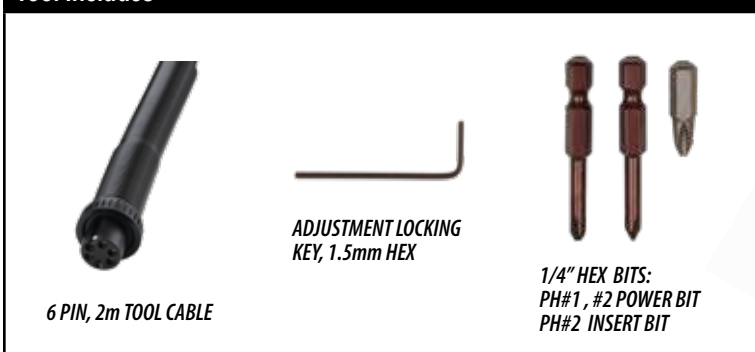
0.9–18.2 in-lbs (0.11–2.06 Nm)

Delta Regis 32VDC Right Angle Drivers provide access to fasteners located in areas that cannot be reached by a standard in-line tool.

- Precise torque control, low torque reaction
- Quiet, brushless DC motor means no carbon dust
- Less heat build-up and higher duty cycle capabilities than conventional brush motors
- Optional ESD-safe housing available
- CE/RoHS compliant



### Tool Includes



Model Number (Standard Housing)	Model Number (w/ ESD Housing)	Torque Range		Speed (rpm)	Weight g / lbs
		in-lbs	Nm		
CESL823/RA	CESL823-ESD/RA	0.9–7.3	0.11–0.83	1000/700	770 / 1.7
CESL823F/RA	CESL823F-ESD/RA	0.9–7.3	0.11–0.83	2000	
CESL824/RA	CESL824-ESD/RA	1.8–11.6	0.20–1.30	1000/700	
CESL824F/RA	CESL824F-ESD/RA	1.8–10.4	0.20–1.17	2000	
—	CESL827B-ESD/RA	6.0–18.2	0.68–2.06	1200/900	1050 / 2.3

