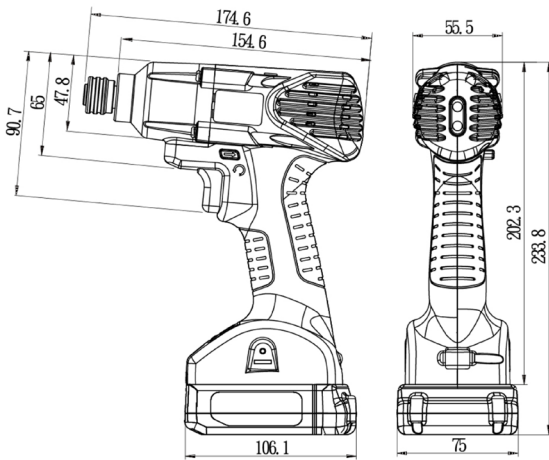


INDUSTRIAL AUTO SHUT-OFF IMPACT DRIVER

Features

- With a maximum of 99 x 6 possible combinations the tool can be dialed in to your specific torque requirement
- OK & NG indicators (Sound & Lights) provide instant feedback for cross threading and screw stripping errors
- Use up to 5 customizable program settings in sequence
- Programmable batch count function shows number of fasteners remaining in batch
- Programming is completed with DR-IRC1 remote control and has the capability to lock settings on the tool to avoid accidental or intentional tampering
- Reverse run (Counter-clockwise operation) function
- Ignore friction function helps to further increase repeatability when working with multiple joint types and material



Select/Sequence		Program (1~5)
Bluetooth (Coming Soon!)		Batch Count (1~99)
Sound (On/Off)		Force
Lock		Impacts
Save		Limit (Threads/Rotation)



Specifications

Model	ESB4-SXI-50	ESB4-SXI-70	ESB4-SXI-100
Input Voltage	10.8V	14.4V	
Speed (RPM)	0~1900	0~2600	0~2000
BPM	0~2500	0~3400	0~2600
Torque Range	5~50 Nm (3.7~36.9 ftlb)	20~70Nm (14.7~51.6 ftlb)	20~100 (14.7~73.7 ftlb)
Recommended Fastener Size (Class 12.9)	M6 / M8 / M10 / M12	M8 / M10 / M12 / M14	M10 / M12 / M14 / M16
Torque Range Capability (Based on fastener size)	M6 - 3~20Nm (2.2~14.7 ftlb)	M8 - 8~30Nm (5.9~22.1 ftlb)	M10 - 8~40Nm (5.9~40 ftlb)
	M8 - 3~20Nm (2.2~14.7 ftlb)	M10 - 8~40Nm (5.9~29.5 ftlb)	M12 - 20~70Nm (14.7~51.6 ftlb)
	M10 - 5~30Nm (3.7~22.1 ftlb)	M12 - 20~60Nm (14.7~44.2 ftlb)	M14 - 20~90Nm (14.7~66.3 ftlb)
	M12 - 12~50Nm (8.8~36.8 ftlb)	M14 - 25~70Nm (18.4~51.6 ftlb)	M16 - 28~100Nm (20.6~73.7ftlb)
Drive Type	1/4" Hex		3/8" Square **Available in 1/2" Square Special Order**
	3/8" Square		
Weight (Less Battery)	0.98 kg (2.1 lbs)	1.0 kg (2.2 lbs)	
Dimensions (Less Battery)	174x202mm (6.8x7.8")		
Battery	SKC-LB1025M	SKC-LB1425	
Charger	ESB-CHG50XA	ESB-CHG70	
Optional Accessories	DR-IRC1		

INDUSTRIAL AUTO SHUT-OFF IMPACT DRIVER

Lithium Ion Batteries



ESB-10VL2500X



SKC-LB1425

Model No.	SKC-LB1025M	SKC-LB1425
Voltage	10.8V	14.4V
Capacity	2500 mAh	
Weight	g	270
	lbs	0.6
Dimensions	mm	97 x 75 x 43
	in	3.8 x 2.9 x 1.7
Certification	CE, TUV	CE, TUV

Features
<ul style="list-style-type: none"> High Performance Li-ion (Li-Mn) construction Reinforced latch to help hold the battery in place and allow easy removal

Charging Stations



ESB-CHG50XA



ESB-CHG70

Features
<ul style="list-style-type: none"> Battery identification to help protect against charging the wrong brand/type of battery Over-temperature protection, output over-voltage protection Audible and visual indication when battery reaches full charge

Model No.	ESB-CHG50XA	ESB-CHG70
Input Voltage	90V~240V	
Output Voltage	12.6V	16.8V
Output Current	3A	
Applicable Battery	SKC-LB1025M	SKC-LB1425
Weight	g	460
	lbs	1
Dimensions	mm	145 x 115 x 75
	in	5.7 x 4.5 x 2.9
Certification	CE, ETL	