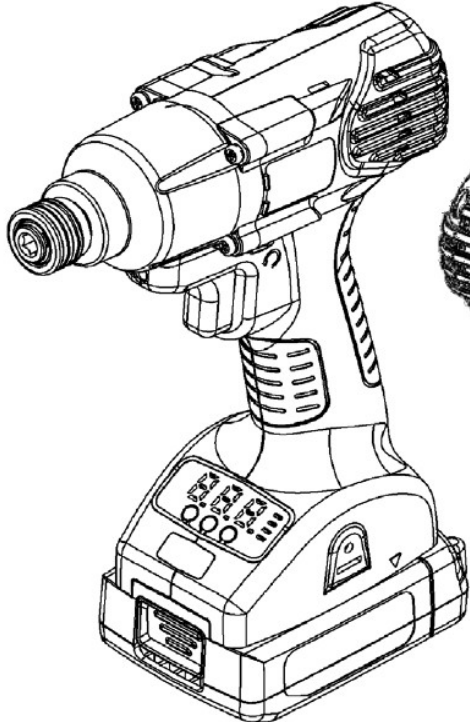
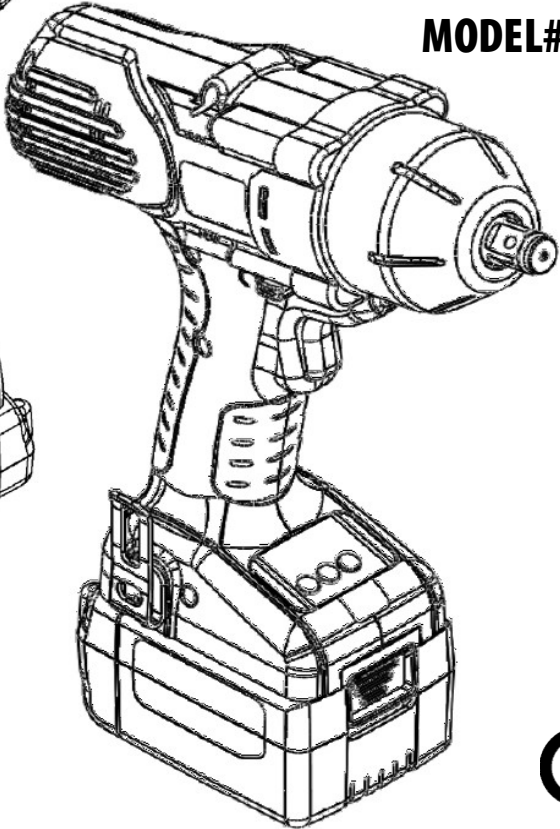


Rechargeable –TYPE: Impact Brushless Series



MODEL# ESB4-SXI-50
ESB4-SXI-70
ESB4-SXI-100

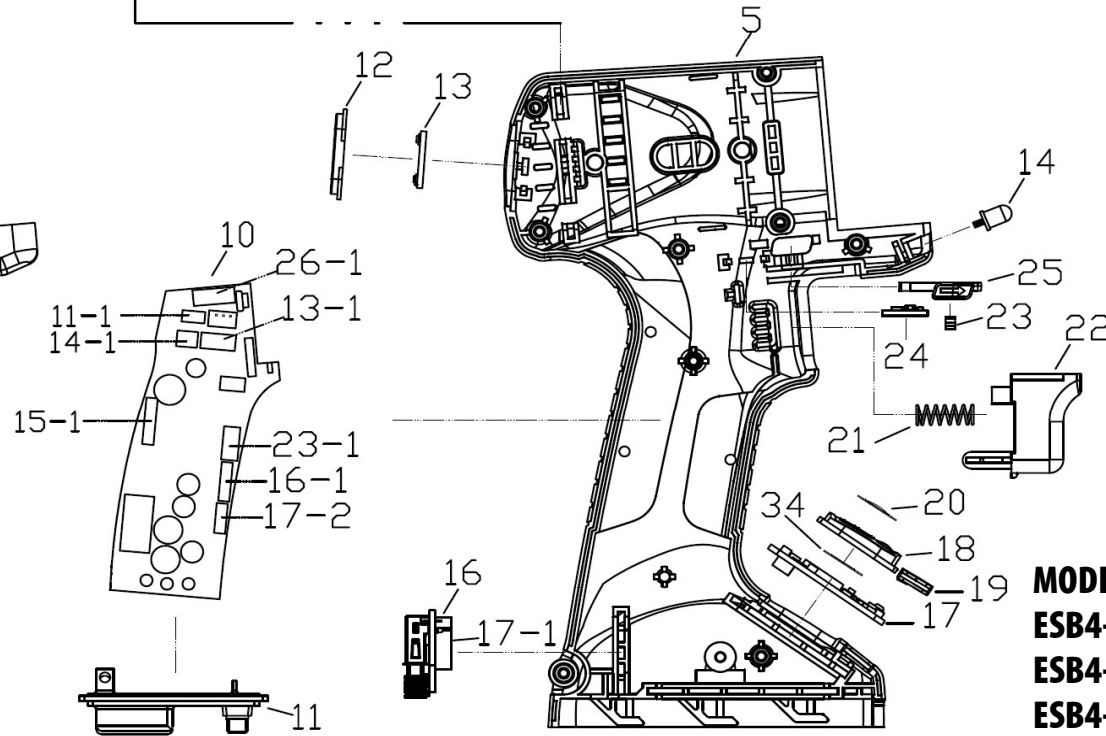
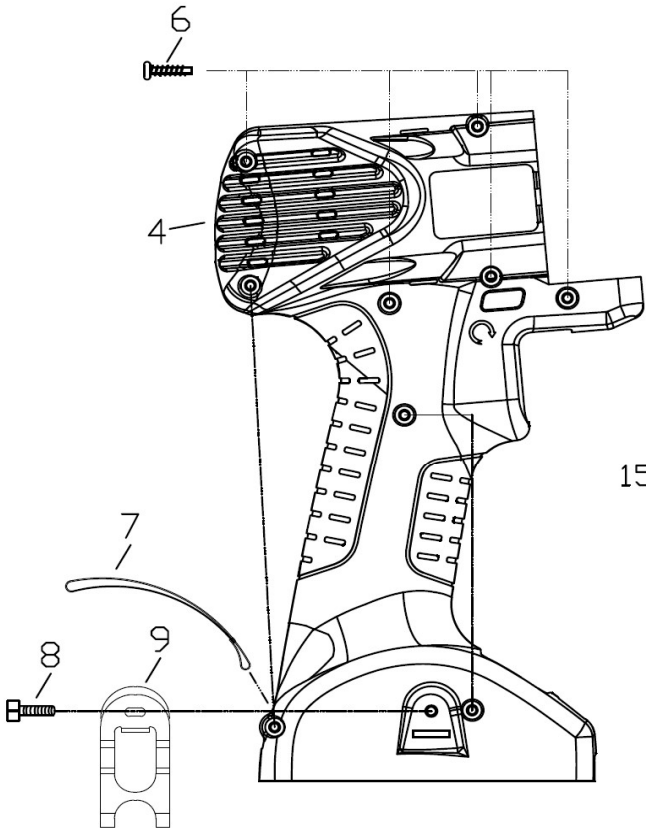
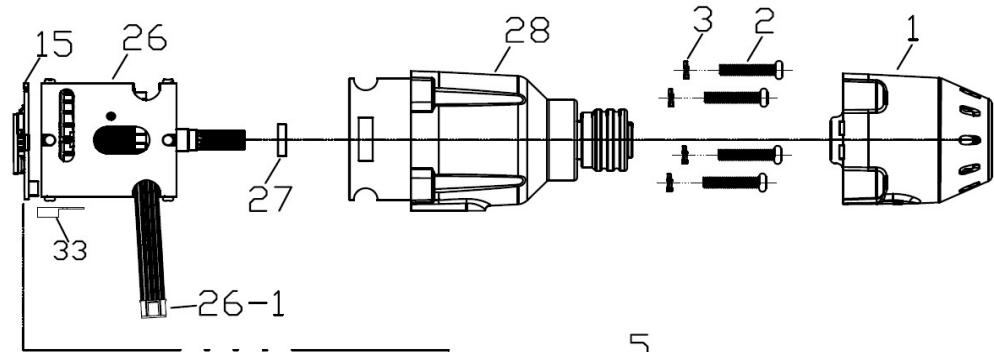


MODEL# ESB4-SXI-200



Rechargeable –TYPE: Impact Brushless Series

NO	PART NO.	CABLE ICON	CABLE ICON
29	15		15-1
30	16		16-1
31	17		17-1
32	17		17-2
	11		11-1
	13		13-1
	14		14-1
	23		23-1

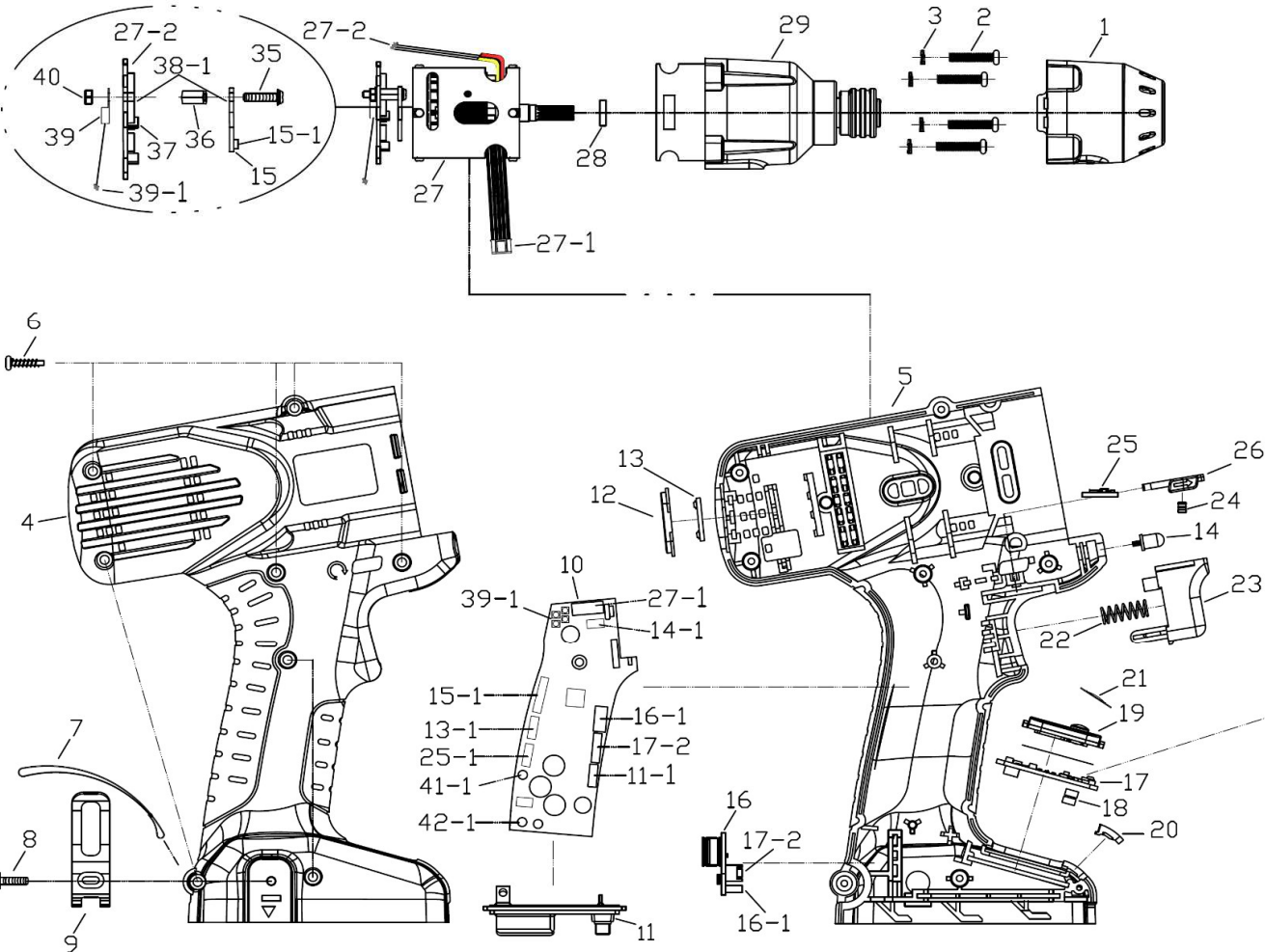


MODEL#
ESB4-SXI-50
ESB4-SXI-70
ESB4-SXI-100

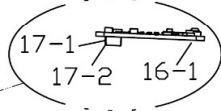
NO	PART NUMBER	DESCRIPTION	QTY
1	DR-C50223-2	Protection	1
2	DR-CH20519-5	Screw	4
3	DR-CH20302-4	WASHER	4
4	DR-CAB00015	Housing-Upside	1
5	DR-CBB00015	Housing-Underside	1
6	DR-CH20527	Screw	9
7	DR-R481874	Wrist band	1
8	DR-CH20525	Screw	1
9	DR-CJ20014	Waist hook	1
10	DR-EG31527-7	P.C.B-SXI-100	1
	DR-EG31527-16	P.C.B-SXI-70	1
	DR-EG31527-19	P.C.B-SXI-50	1
11	DR-EG31504-14	Power Module	1
12	DR-C50220	LED Light Cover	1
13	DR-EG31438-1	Indication light PCB	1
14	DR-N15017-4	LED Light	1
15	DR-EG31527-8	MOS P.C.B	1
16	DR-EG31527-5	P.C.B	1
17	DR-EG31527-3	P.C.B-SXI-100	1
	DR-EG31527-17	P.C.B-SXI-70	1
	DR-EG31527-11	P.C.B-SXI-50	1
18	DR-C50231	LED Light Cover	1
19	DR-C50230	LED Light Cover	1

NO	PART NUMBER	DESCRIPTION	QTY
20	DR-YTZ2004	Sticker-Model	1
21	DR-CK28033	Trigger Spring	1
22	DR-CC70016	Trigger Assembly-SXI-70, SXI-100	1
	DR-CC70016-1	Trigger Assembly-SXI-50	1
23	DR-E63231	Forward/Reverse Spring	1
24	DR-EG31439-4	F/R Switching Element PCB	1
25	DR-CI50218-10	Forward/Reverse Lever-SXI-100	1
	DR-CI50218-11	Forward/Reverse Lever-SXI-70	1
	DR-CI50218-15	Forward/Reverse Lever-SXI-50	1
26	DR-MO00004-3CE	Motor Assembly	1
27	DR-P11036-C1	Oil Seal VC8	1
28	DR-GZPTI10002-1W	Clutch Assembly-SXI-100 SQ 3/8	1
	DR-GZPTI10002-2W	Clutch Assembly-SXI-100 SQ 1/2	1
	DR-GZPTI10004-2B	Clutch Assembly-SXI-70 HEX	1
	DR-GZPTI10004-1W	Clutch Assembly-SXI-70 SQ 3/8	1
	DR-GZPTI10003-2B	Clutch Assembly-SXI-50 HEX	1
	DR-GZPTI10003-1W	Clutch Assembly-SXI-50 SQ 3/8	1
29	DR-E31719-6	10Pin Plug	1
30	DR-P12102-39	8Pin Plug	1
31	DR-E31714-5	5Pin Plug	1
32	DR-E31717-10	6Pin Plug	1
33	DR-E30180-1	Resistance NTC	1
34	DR-P10232	GASKET (black)	1

Rechargeable –TYPE: Impact Brushless Series



NO	PART NO.	CABLE ICON	CABLE ICON
30	15-1		15-1
31	16-1		16-1
32	17-1		17-1
33	17-2		17-2
	11		11-1
	13		13-1
	14		14-1
	25		25-1
	38		38-1
	41		41-1
	42		42-1



MODEL# ESB4-SXI-200

NO	PART NUMBER	DESCRIPTION	QTY
1	DR-C50223-3	Protection	1
2	DR-CH20519-5	Screw	4
3	DR-CH20302-4	WASHER	4
4	DR-CAB00015-2	Housing-Upside	1
5	DR-CBB00015-2	Housing-Underside	1
6	DR-CH20527	Screw	9
7	DR-R481874	Wrist band	1
8	DR-CH20504-14	Screw	1
9	DR-CJ20014-1	Waist hook	1
10	DR-EG31564-3C	P.C.B-SXI-200	1
11	DR-EG31504-14	Power Module	1
12	DR-C50220	LED Light Cover	1
13	DR-EG31438-10	Indication light PCB	1
14	DR-N15017-4	LED Light	1
15	DR-EG31564	MOS P.C.B	1
16	DR-EG31527-5	P.C.B	1
17	DR-EG31527-18	P.C.B-SXI-200	1
18	DR-P11020-2		2
19	DR-C50231E	LED Light Cover	1
20	DR-C50230-1	LED Light Cover	1
21	DR-YTZ2004	Sticker-Model	1
22	DR-CK28033	Trigger Spring	1

NO	PART NUMBER	DESCRIPTION	QTY
23	DR-CC70016	Trigger Assembly-SXI-200	1
24	DR-E63231	Forward/Reverse Spring	1
25	DR-EG31439-4	F/R Switching Element PCB	1
26	DR-CI50218-10	Forward/Reverse Lever-SXI-200	1
27	DR-MO00004-6CE	Motor Assembly	1
28	DR-P11036-C1	Oil Seal VC8	1
29	DR-GZPTI10005-1W	Clutch Assembly-SXI-200 SQ 1/2	1
	DR-GZPTI10005-2W	Clutch Assembly-SXI-200 SQ 3/8	1
30	DR-E31719-6	10Pin Plug	1
31	DR-P12102-39	8Pin Plug	1
32	DR-E31714-8	5Pin Plug	1
33	DR-E31717-10	6Pin Plug	1
34	DR-P10232	GASKET (black)	2
35	DR-CH20525-6	Screw	2
36	DR-CH90153-6		2
37	DR-EG31564-2	P.C.B-Driver	1
38	DR-E31718-16	3Pin Plug	2
39	DR-E30180-2	Resistance NTC	1
40	DR-CH20406		2
41	DR-P13527F-175		1
42	DR-P13528F-175		1